

MBB

5BB

\*Transparent doubleglass module can be provided upon request.

# KuDymond

## HIGH EFFICIENCY MONO PERC MODULE

### CS3U-365 | 370 | 375 | 380MS-FG

#### MORE POWER



Low power loss in cell connection



Low NMOT:  $41 \pm 3 \text{ }^\circ\text{C}$   
Low temperature coefficient (Pmax):  $-0.37 \text{ } \%/ \text{ }^\circ\text{C}$



Better shading tolerance

#### MORE RELIABLE



Lower hot spot temperature



Minimizes micro-cracks



Heavy snow load up to 5400 Pa,  
wind load up to 2400 Pa



Fire Class A and Type 3 / Type 13 certified  
according to IEC 61730-2 / MST 23 and UL 1703



linear power output warranty



product warranty on materials  
and workmanship

#### MANAGEMENT SYSTEM CERTIFICATES

ISO 9001:2015 / Quality management system  
ISO 14001:2015 / Standards for environmental management system  
OHSAS 18001:2007 / International standards for occupational health & safety

#### PRODUCT CERTIFICATES\*

IEC 61215 / IEC 61730: VDE / CE / CEC AU  
UL 1703: CSA / IEC61701 ED2: VDE / IEC62716: VDE  
Take-e-way

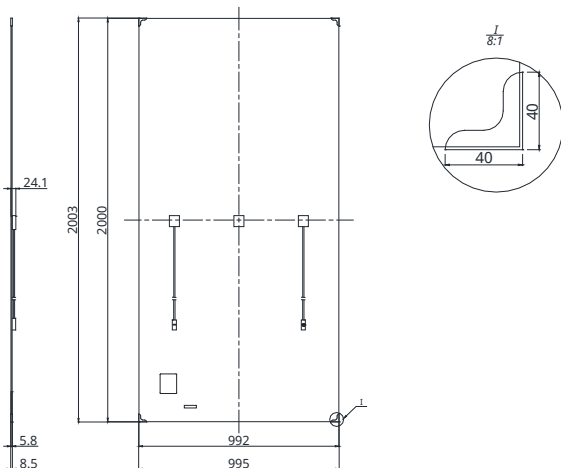


\*We can provide this product with special BOM specifically certified with salt mist, ammonia and sand blowing tests. Please talk to our local technical sales representatives to get your customized solutions.

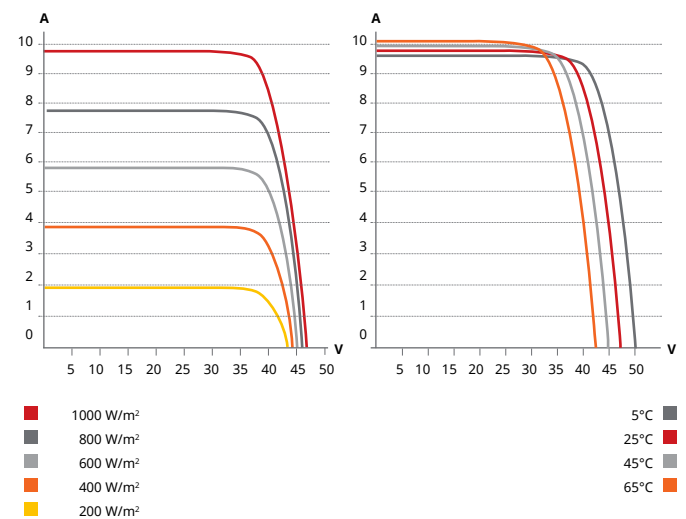
**CANADIAN SOLAR INC.** is committed to providing high quality solar products, solar system solutions and services to customers around the world. No. 1 module supplier for quality and performance/price ratio in IHS Module Customer Insight Survey. As a leading PV project developer and manufacturer of solar modules with over 30 GW deployed around the world since 2001.

## ENGINEERING DRAWING (mm)

### Rear View



## CS3U-370MS-FG / I-V CURVES



## ELECTRICAL DATA | STC\*

CS3U	365MS-FG	370MS-FG	375MS-FG	380MS-FG
Nominal Max. Power (Pmax)	365 W	370 W	375 W	380 W
Opt. Operating Voltage (Vmp)	39.4 V	39.6 V	39.8 V	40.0 V
Opt. Operating Current (Imp)	9.27 A	9.35 A	9.43 A	9.50 A
Open Circuit Voltage (Voc)	47.2 V	47.4 V	47.6 V	47.8 V
Short Circuit Current (Isc)	9.77 A	9.85 A	9.93 A	10.01 A
Module Efficiency	18.40%	18.65%	18.90%	19.15%
Operating Temperature	-40°C ~ +85°C			
Max. System Voltage	1500V (IEC) or 1000V (IEC/UL)			
Module Fire Performance	TYPE 3 / Type 13 (UL 1703) or CLASS A (IEC61730)			
Max. Series Fuse Rating	30 A			
Application Classification	Class A			
Power Tolerance	0 ~ + 5 W			

\* Under Standard Test Conditions (STC) of irradiance of 1000 W/m², spectrum AM 1.5 and cell temperature of 25°C.

## ELECTRICAL DATA | NMOT\*

CS3U	365MS-FG	370MS-FG	375MS-FG	380MS-FG
Nominal Max. Power (Pmax)	272 W	276 W	280 W	284 W
Opt. Operating Voltage (Vmp)	36.6 V	36.7 V	36.9 V	37.1 V
Opt. Operating Current (Imp)	7.45 A	7.51 A	7.58 A	7.64 A
Open Circuit Voltage (Voc)	44.4 V	44.6 V	44.8 V	45.0 V
Short Circuit Current (Isc)	7.88 A	7.94 A	8.01 A	8.07 A

\* Under Nominal Module Operating Temperature (NMOT), irradiance of 800 W/m² spectrum AM 1.5, ambient temperature 20°C, wind speed 1 m/s.

## MECHANICAL DATA

Specification	Data
Cell Type	Mono-crystalline
Cell Arrangement	144 [2 x (12 x 6)]
Dimensions	2000 X 992 X 5.8 mm (78.7 X 39.1 X 0.23 in) without J-Box and corner protector
(Incl. corner protector)	2003 X 995 X 8.5 mm (78.9 X 39.2 X 0.33 in) without J-Box
Weight	29 kg (63.9 lbs)
Front / Back Glass	2.5 mm heat strengthened glass
Frame	Frameless
J-Box	IP68, 3 bypass diodes
Cable	4 mm² (IEC), 12 AWG (UL)
Cable Length (Including Connector)	Portrait: 400 mm (15.7 in) (+) / 280 mm (11.0 in) (-); landscape: 1250 mm (49.2 in); leap-frog connection: 1670 mm (65.7 in)*
Connector	T4 series
Per Pallet	30 pieces
Per Container (40' HQ)	660 pieces

\* For detailed information, please contact your local Canadian Solar sales and technical representatives.

## TEMPERATURE CHARACTERISTICS

Specification	Data
Temperature Coefficient (Pmax)	-0.37 % / °C
Temperature Coefficient (Voc)	-0.29 % / °C
Temperature Coefficient (Isc)	0.05 % / °C
Nominal Module Operating Temperature	41 ± 3°C

## PARTNER SECTION



\* The specifications and key features contained in this datasheet may deviate slightly from our actual products due to the on-going innovation and product enhancement. Canadian Solar Inc. reserves the right to make necessary adjustment to the information described herein at any time without further notice.

## CANADIAN SOLAR INC.

545 Speedvale Avenue West, Guelph, Ontario N1K 1E6, Canada, [www.canadiansolar.com](http://www.canadiansolar.com), [support@canadiansolar.com](mailto:support@canadiansolar.com)