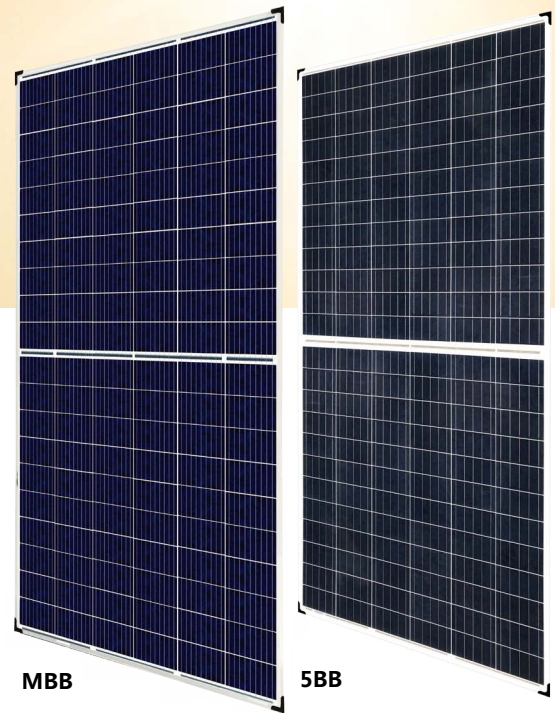




# KuDymond

## HIGH EFFICIENCY POLY MODULE

### CS3K-295 | 300 | 305 | 310P-FG



#### MORE POWER



Low power loss in cell connection



Low NMOT:  $42 \pm 3 \text{ }^\circ\text{C}$   
Low temperature coefficient (Pmax):  $-0.37 \text{ \% / }^\circ\text{C}$



Better shading tolerance

\*Transparent doubleglass module can be provided upon request.



linear power output warranty\*



product warranty on materials and workmanship\*

\*According to the applicable Canadian Solar Limited Warranty Statement.

#### MORE RELIABLE



Lower hot spot temperature



Minimizes micro-cracks



Heavy snow load up to 5400 Pa,  
wind load up to 2400 Pa



Fire Class A and Type 3 / Type 13 certified  
according to IEC 61730-2 / MST 23 and UL 1703

#### MANAGEMENT SYSTEM CERTIFICATES

ISO 9001:2015 / Quality management system  
ISO 14001:2015 / Standards for environmental management system  
OHSAS 18001:2007 / International standards for occupational health & safety

#### PRODUCT CERTIFICATES\*

IEC 61215 / IEC 61730: VDE / CE / MCS / CQC  
UL 1703: CSA / IEC 61701 ED2: VDE / IEC 62716: VDE / IEC 60068-2-68: SGS  
Take-e-way

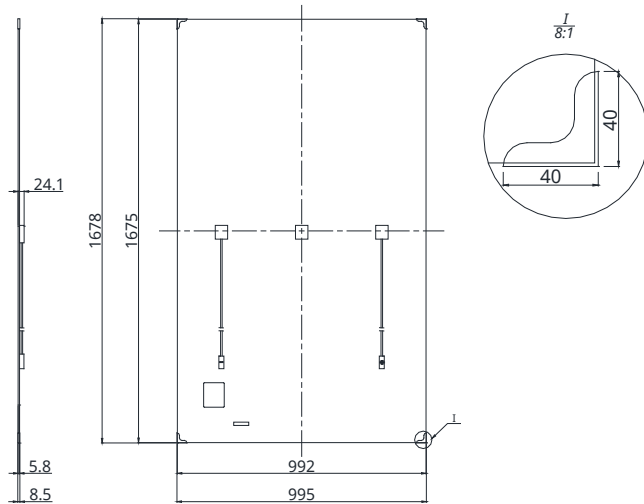


\* As there are different certification requirements in different markets, please contact your local Canadian Solar sales representative for the specific certificates applicable to the products in the region in which the products are to be used.

**CANADIAN SOLAR INC.** is committed to providing high quality solar products, solar system solutions and services to customers around the world. No. 1 module supplier for quality and performance/price ratio in IHS Module Customer Insight Survey. As a leading PV project developer and manufacturer of solar modules with over 33 GW deployed around the world since 2001.

## ENGINEERING DRAWING (mm)

### Rear View



## ELECTRICAL DATA | STC\*

| CS3K                         | 295P-FG  | 300P-FG | 305P-FG | 310P-FG |
|------------------------------|--|---------|---------|---------|
| Nominal Max. Power (Pmax)    | 295 W  | 300 W   | 305 W   | 310 W   |
| Opt. Operating Voltage (Vmp) | 32.5 V   | 32.7 V  | 32.9 V  | 33.1 V  |
| Opt. Operating Current (Imp) | 9.08 A   | 9.18 A  | 9.28 A  | 9.37 A  |
| Open Circuit Voltage (Voc)   | 39.1 V   | 39.3 V  | 39.5 V  | 39.7 V  |
| Short Circuit Current (Isc)  | 9.57 A   | 9.65 A  | 9.73 A  | 9.81 A  |
| Module Efficiency            | 17.75%   | 18.05%  | 18.36%  | 18.66%  |
| Operating Temperature        | -40°C ~ +85°C                                    |         |         |         |
| Max. System Voltage          | 1500V (IEC) or 1000V (IEC/UL)                    |         |         |         |
| Module Fire Performance      | TYPE 3 / Type 13 (UL 1703) or Class A (IEC61730) |         |         |         |
| Max. Series Fuse Rating      | 30 A   |         |         |         |
| Application Classification   | Class A  |         |         |         |
| Power Tolerance              | 0 ~ + 5 W  |         |         |         |

\* Under Standard Test Conditions (STC) of irradiance of 1000 W/m<sup>2</sup>, spectrum AM 1.5 and cell temperature of 25°C.

## ELECTRICAL DATA | NMOT\*

| CS3K                         | 295P-FG | 300P-FG | 290P-FG | 295P-FG |
|------------------------------|---------|---------|---------|---------|
| Nominal Max. Power (Pmax)    | 219 W   | 223 W   | 227 W   | 230 W   |
| Opt. Operating Voltage (Vmp) | 30.2 V  | 30.4 V  | 30.6 V  | 30.8 V  |
| Opt. Operating Current (Imp) | 7.26 A  | 7.34 A  | 7.42 A  | 7.49 A  |
| Open Circuit Voltage (Voc)   | 36.7 V  | 36.8 V  | 37.0 V  | 37.2 V  |
| Short Circuit Current (Isc)  | 7.72 A  | 7.78 A  | 7.85 A  | 7.91 A  |

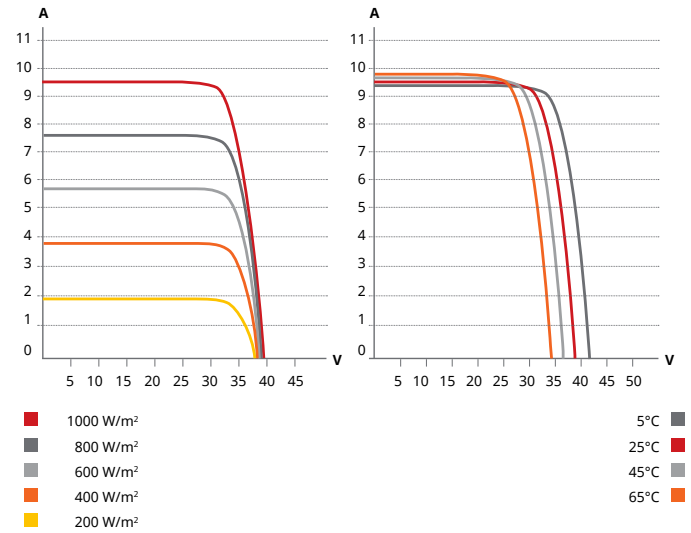
\* Under Nominal Module Operating Temperature (NMOT), irradiance of 800 W/m<sup>2</sup>, spectrum AM 1.5, ambient temperature 20°C, wind speed 1 m/s.

\* The specifications and key features contained in this datasheet may deviate slightly from our actual products due to the on-going innovation and product enhancement. Canadian Solar Inc. reserves the right to make necessary adjustments to the information described herein at any time without further notice. Please be kindly advised that PV modules should be handled and installed by qualified people who have professional skills and please carefully read the safety and installation instructions before using our PV modules.

## CANADIAN SOLAR INC.

545 Speedvale Avenue West, Guelph, Ontario N1K 1E6, Canada, [www.canadiansolar.com](http://www.canadiansolar.com), [support@canadiansolar.com](mailto:support@canadiansolar.com)

## CS3K-300P-FG / I-V CURVES



## MECHANICAL DATA

| Specification                      | Data   |
|------------------------------------|--|
| Cell Type                          | Poly-crystalline   |
| Cell Arrangement                   | 120 [2x (10 x 6)]  |
| Dimensions                         | 1675 X 992 X 5.8 mm (65.9 X 39.1 X 0.23 in) without J-Box and corner protector       |
| (Incl. corner protector)           | 1678 X 995 X 8.5 mm (66.1 X 39.2 X 0.33 in) without J-Box                            |
| Weight                             | 24 kg (52.9 lbs)   |
| Front / Back Glass                 | 2.5 mm heat strengthened glass   |
| Frame                              | Frameless  |
| J-Box                              | IP68, 3 bypass diodes  |
| Cable                              | 4.0 mm <sup>2</sup> (IEC), 12 AWG (UL)   |
| Cable Length (Including Connector) | Portrait: 400 mm (15.7 in) (+) / 280 mm (11.0 in) (-); landscape: 1160 mm (45.7 in)* |
| Connector                          | T4 series or H4 UTX or MC4-EVO2  |
| Per Pallet                         | 33 pieces  |
| Per Container (40' HQ)             | 858 pieces   |

\* For detailed information, please contact your local Canadian Solar sales and technical representatives.

## TEMPERATURE CHARACTERISTICS

| Specification                        | Data         |
|--------------------------------------|--------------|
| Temperature Coefficient (Pmax)       | -0.37 % / °C |
| Temperature Coefficient (Voc)        | -0.29 % / °C |
| Temperature Coefficient (Isc)        | 0.05 % / °C  |
| Nominal Module Operating Temperature | 42 ± 3°C     |

## PARTNER SECTION

