

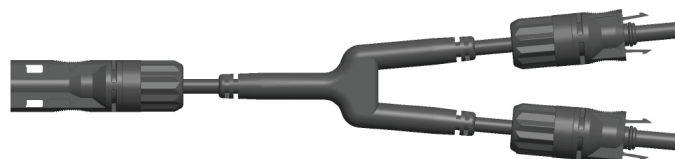


A Canadian Solar subsidiary

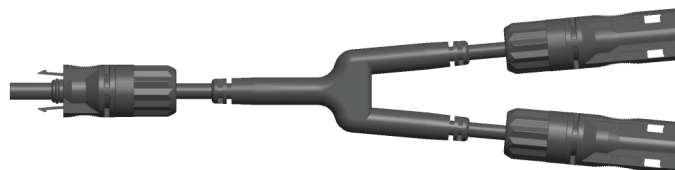
T4 Y-BRANCH CONNECTOR

PRODUCT OVERVIEW

T4 Y-branch connectors use high quality materials that guarantee long-term reliability. Lower contact resistance and higher current transfer capability ensure high product efficiency. T4 Y-branch connectors have IP68 water-proof rating and can be used in a wide operating temperature range from -40 °C to 90 °C.



T4Y2P1N-PC1



T4Y2N1P-PC1

ELECTRICAL DATA

Rated Voltage	IEC 1000 V DC & UL 1500 V DC
Rated Current	30 A for 6mm ² / 10 AWG
Contact Resistance	≤ 0.25 mΩ
Pollution Degree	Class II
Protection Class	Class II
Protection Degree	IP68 (when mated)
Fire Resistance	UL 94-V0
Temperature Range	- 40 °C ~ + 90 °C
Rated Impulse Voltage	12 KV

MECHANICAL DATA

Conductor Cross Section	IEC: 6mm ² UL: 10 AWG
Connector System	Φ 4.0 mm
Contact Material	Copper, Tin-plated
Type of Termination	Crimping
Locking System (UL)	Locking type

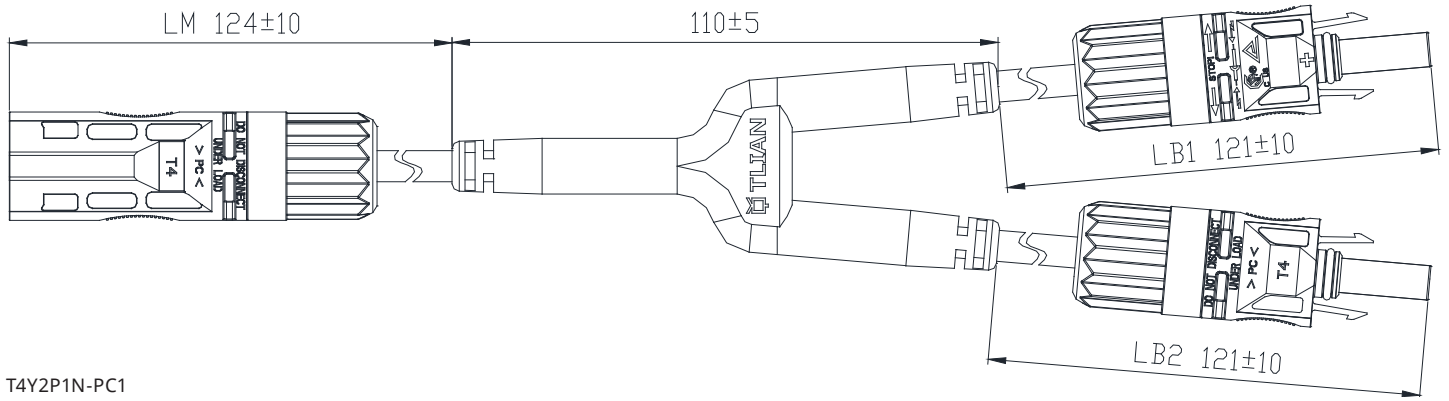
*For detail information, please refer to Installation Manual.

CANADIAN SOLAR (USA), INC. is committed to providing high quality solar products, solar system solutions and services to customers around the world. As a leading PV project developer and manufacturer of solar modules with over 21 GW deployed around the world since 2001, Canadian Solar Inc. (NASDAQ: CSIQ) is one of the most bankable solar companies worldwide.

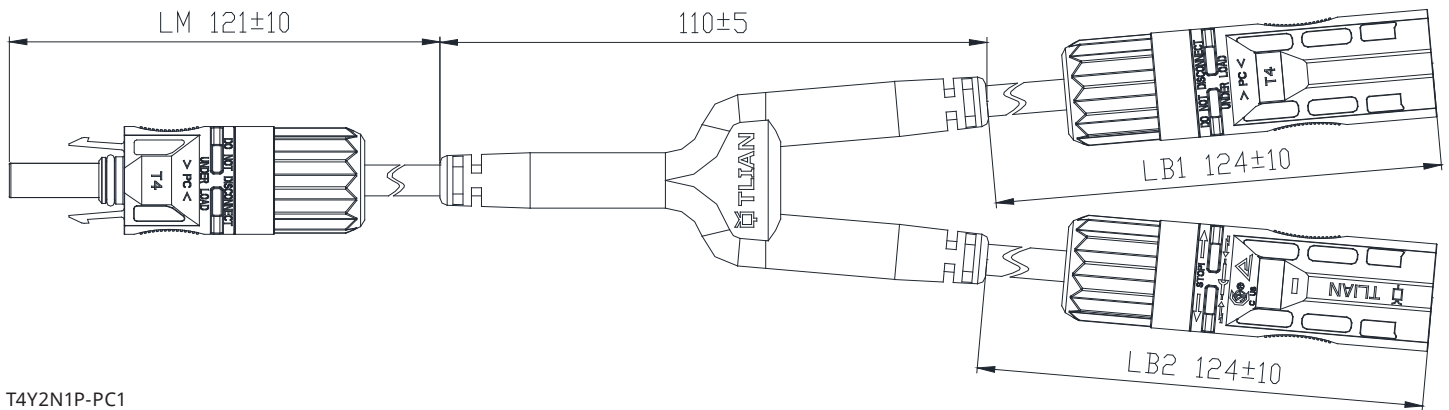
TLIAN (CHANGSHU) CO., LTD. Guanghuahuan Road No.6, Changshu, China, 0086-512-52971585

A subsidiary of Canadian Solar Inc., 3000 Oak Road, Suite 400, Walnut Creek, CA 94597, USA | www.canadiansolar.com/na | sales.us@canadiansolar.com

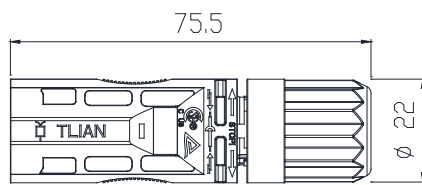
ENGINEERING DRAWING (mm)



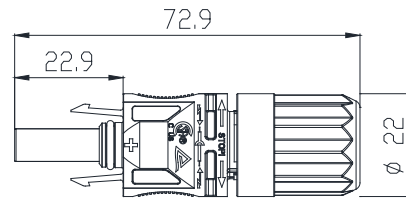
T4Y2P1N-PC1



T4Y2N1P-PC1



Male connector (-)



Female connector (+)

T4 Y BRANCH CONNECTOR INFORMATION

Product	Description	Packing Units
T4Y2N1P-PC1	T4-PC-1 Connector 6mm ² / 10AWG UL1500V / IEC 1000V	10 units or 100 units
T4Y2P1N-PC1	T4-PC-1 Connector 6mm ² / 10AWG UL1500V / IEC 1000V	10 units or 100 units

The specification and key features described in this datasheet may deviate slightly and are not guaranteed. Due to on-going innovation, research and product enhancement, Canadian Solar Inc. reserves the right to make any adjustment to the information described herein at any time without notice. Please always obtain the most recent version of the datasheet which shall be duly incorporated into the binding contract made by the parties governing all transactions related to the purchase and sale of the products described herein.

Caution: For professional use only. The installation and handling of connectors requires professional skills and should only be performed by qualified professionals. The connector must be isolated and disconnected from the power supply during the assembly or disassembly process. Do not disconnect under load. The use of a PV cable is recommended. Avoid any grease or oils contacting the body of the T4 PV connector. Please read the safety and installation instructions before using the connector.