

5BB

\*Transparent doubleglass module can be provided upon request.

# KuDymond

## CS3U-335 | 340 | 345P-FG

### MORE POWER



Low power loss in cell connection



Low NMOT:  $42 \pm 3 \text{ }^\circ\text{C}$   
Low temperature coefficient (Pmax):  $-0.38 \text{ } \%/ \text{ }^\circ\text{C}$



Better shading tolerance

### MORE RELIABLE



Lower hot spot temperature



Minimizes micro-cracks



Heavy snow load up to 5400 Pa,  
wind load up to 2400 Pa



Fire Class A and Type 3 / Type 13 certified  
according to IEC 61730-2 / MST 23 and UL 1703



linear power output warranty



product warranty on materials  
and workmanship

### MANAGEMENT SYSTEM CERTIFICATES

ISO 9001:2008 / Quality management system  
ISO 14001:2004 / Standards for environmental management system  
OHSAS 18001:2007 / International standards for occupational health & safety

### PRODUCT CERTIFICATES\*

IEC 61215 / IEC 61730: VDE / CE / CEC AU  
UL 1703: CSA / IEC61701 ED2: VDE / IEC62716: VDE  
Take-e-way

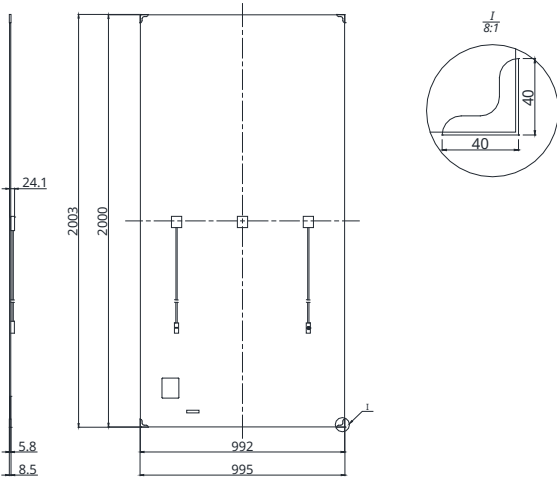


\*We can provide this product with special BOM specifically certified with salt mist, ammonia and sand blowing tests. Please talk to our local technical sales representatives to get your customized solutions.

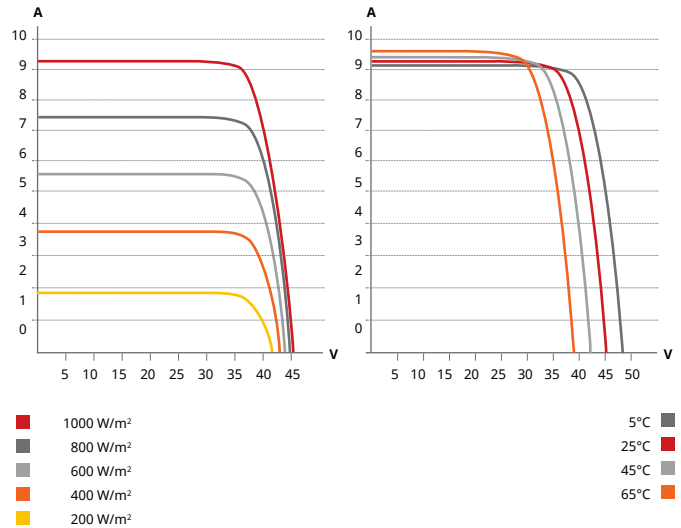
**CANADIAN SOLAR INC.** is committed to providing high quality solar products, solar system solutions and services to customers around the world. No. 1 module supplier for quality and performance/price ratio in IHS Module Customer Insight Survey. As a leading PV project developer and manufacturer of solar modules with over 30 GW deployed around the world since 2001.

## ENGINEERING DRAWING (mm)

### Rear View



## CS3U-340P-FG / I-V CURVES



### ELECTRICAL DATA | STC\*

CS3U	335P-FG	340P-FG	345P-FG
Nominal Max. Power (Pmax)	335 W	340 W	345 W
Opt. Operating Voltage (Vmp)	38.2 V	38.4 V	38.6 V
Opt. Operating Current (Imp)	8.77 A	8.86 A	8.94 A
Open Circuit Voltage (Voc)	45.7 V	45.9 V	46.1 V
Short Circuit Current (Isc)	9.28 A	9.36 A	9.44 A
Module Efficiency	16.89%	17.14%	17.39%
Operating Temperature	-40°C ~ +85°C		
Max. System Voltage	1500V (IEC) or 1000V (IEC/UL)		
Module Fire Performance	TYPE 3 / Type 13 (UL 1703) or CLASS A (IEC61730)		
Max. Series Fuse Rating	30 A		
Application Classification	Class A		
Power Tolerance	0 ~ + 5 W		

\* Under Standard Test Conditions (STC) of irradiance of 1000 W/m², spectrum AM 1.5 and cell temperature of 25°C.

### ELECTRICAL DATA | NMOT\*

CS3U	335P-FG	340P-FG	345P-FG
Nominal Max. Power (Pmax)	249 W	252 W	256 W
Opt. Operating Voltage (Vmp)	35.3 V	35.5 V	35.7 V
Opt. Operating Current (Imp)	7.04 A	7.11 A	7.18 A
Open Circuit Voltage (Voc)	42.7 V	42.9 V	43.1 V
Short Circuit Current (Isc)	7.49 A	7.55 A	7.62 A

\* Under Nominal Module Operating Temperature (NMOT), irradiance of 800 W/m², spectrum AM 1.5, ambient temperature 20°C, wind speed 1 m/s.

### MECHANICAL DATA

Specification	Data
Cell Type	Poly-crystalline
Cell Arrangement	144 [2 x (12 x 6)]
Dimensions	2000 X 992 X 5.8 mm (78.7 X 39.1 X 0.23 in) without J-Box and corner protector
(Incl. corner protector)	2003 X 995 X 8.5 mm (78.9 X 39.2 X 0.33 in) without J-Box
Weight	29 kg (63.9 lbs)
Front / Back Glass	2.5 mm heat strengthened glass
Frame	Frameless
J-Box	IP68, 3 bypass diodes
Cable	4 mm² (IEC), 12 AWG (UL)
Cable Length (Including Connector)	Portrait: 400 mm (15.7 in) (+) / 280 mm (11.0 in) (-); landscape: 1250 mm (49.2 in); leap-frog connection: 1670 mm (65.7 in)*
Connector	T4 series
Per Pallet	30 pieces
Per Container (40' HQ)	660 pieces

\* For detailed information, please contact your local Canadian Solar sales and technical representatives.

### TEMPERATURE CHARACTERISTICS

Specification	Data
Temperature Coefficient (Pmax)	-0.38 % / °C
Temperature Coefficient (Voc)	-0.31 % / °C
Temperature Coefficient (Isc)	0.05 % / °C
Nominal Module Operating Temperature	42 ± 3°C

### PARTNER SECTION



\* The specifications and key features contained in this datasheet may deviate slightly from our actual products due to the on-going innovation and product enhancement. Canadian Solar Inc. reserves the right to make necessary adjustment to the information described herein at any time without further notice.

### CANADIAN SOLAR INC.

545 Speedvale Avenue West, Guelph, Ontario N1K 1E6, Canada, [www.canadiansolar.com](http://www.canadiansolar.com), [support@canadiansolar.com](mailto:support@canadiansolar.com)