



# KuDymond

## CS3K-275 | 280 | 285P-FG

Canadian Solar's KuDymond CS3K-P-FG module is a high power double-glass module with poly cell technology and the industry leading innovative LIC (Low Internal Current) module technology.

The KuDymond poly modules can reach up to 285 W with the following unique features:

- **Higher** power classes for equivalent module sizes
- **High** module efficiency up to 17.15 %
- **LOW** hot spot temperature risk
- **LOW** temperature coefficient (Pmax): -0.38 % / °C
- **LOW NMOT** (Nominal Module Operating Temperature):  $42 \pm 3$  °C



Low NMOT:  $42 \pm 3$  °C  
Low temperature coefficient  
(Pmax): -0.38 % / °C



Lower hot spot temperature



Minimizes micro-cracks and prevents snail trails



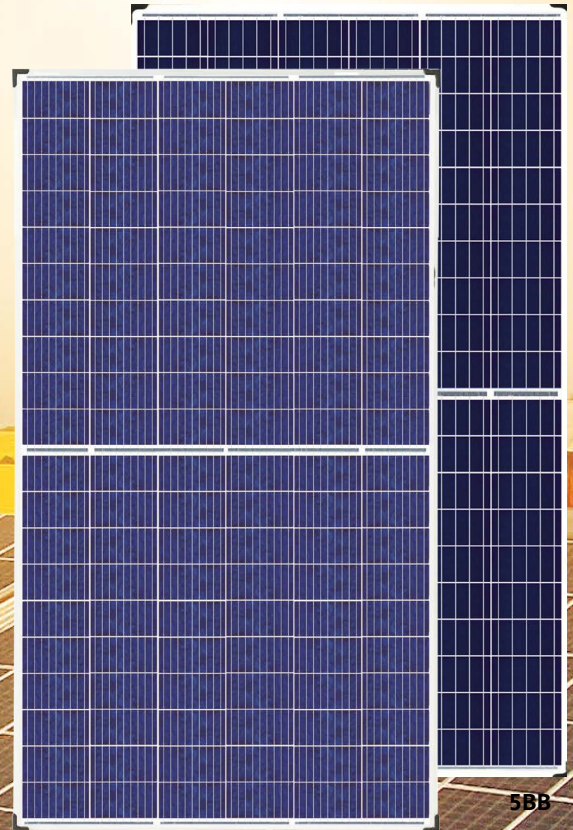
Heavy snow load up to 5400 Pa,  
wind load up to 2400 Pa



Fire Class A and Type 3 / Type 13 certified according to IEC 61730-2 / MST 23 and UL 1703



Low BoS cost with 1500 VDC system voltage



\*Transparent doubleglass module can be provided upon request



linear power output warranty



product warranty on materials and workmanship

### PRODUCT CERTIFICATES\*

IEC 61215 / IEC 61730: VDE / CE

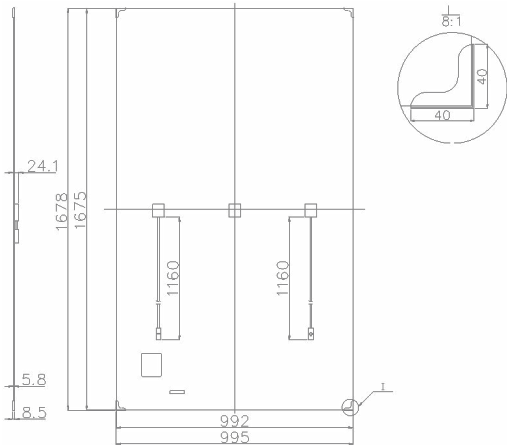


\* If you need specific product certificates, and if module installations are to deviate from our guidance specified in our installation manual, please contact your local Canadian Solar sales and technical representatives.

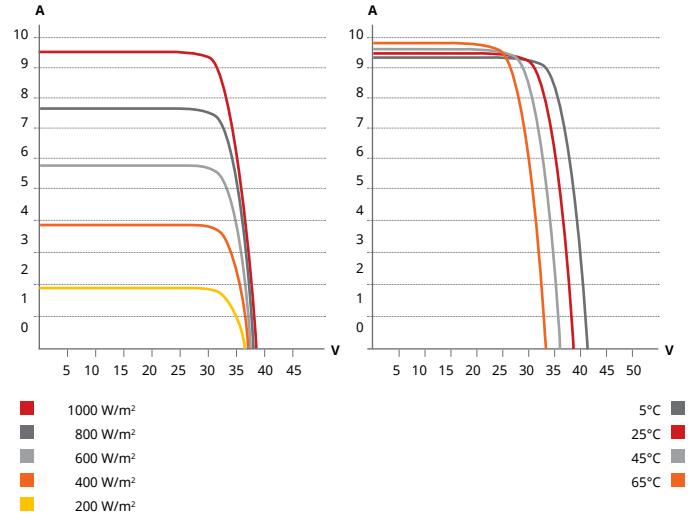


**ENGINEERING DRAWING (mm)**

**Rear View**



**CS3K-280P-FG / I-V CURVES**



**ELECTRICAL DATA | STC\***

CS3K	275P-FG	280P-FG	285P-FG
Nominal Max. Power (Pmax)	275 W	280 W	285 W
Opt. Operating Voltage (Vmp)	31.0 V	31.2 V	31.4 V
Opt. Operating Current (Imp)	8.88 A	8.98 A	9.08 A
Open Circuit Voltage (Voc)	37.7 V	37.9 V	38.1 V
Short Circuit Current (Isc)	9.38 A	9.47 A	9.56 A
Module Efficiency	16.55%	16.85%	17.15%
Operating Temperature	-40°C ~ +85°C		
Max. System Voltage	1500V (IEC) or 1000V (IEC/UL)		
Module Fire Performance	TYPE 3 / Type 13 (UL 1703) or CLASS A (IEC61730)		
Max. Series Fuse Rating	30 A		
Application Classification	Class A		
Power Tolerance	0 ~ + 5 W		

\* Under Standard Test Conditions (STC) of irradiance of 1000 W/m<sup>2</sup>, spectrum AM 1.5 and cell temperature of 25°C.

**ELECTRICAL DATA | NMOT\***

CS3K	275P-FG	280P-FG	285P-FG
Nominal Max. Power (Pmax)	204 W	208 W	211 W
Opt. Operating Voltage (Vmp)	28.6 V	28.8 V	29.0 V
Opt. Operating Current (Imp)	7.12 A	7.21 A	7.29 A
Open Circuit Voltage (Voc)	35.2 V	35.4 V	35.6 V
Short Circuit Current (Isc)	7.57 A	7.64 A	7.71 A

\* Under Nominal Module Operating Temperature (NMOT), irradiance of 800 W/m<sup>2</sup>, spectrum AM 1.5, ambient temperature 20°C, wind speed 1 m/s.

**MECHANICAL DATA**

Specification	Data
Cell Type	Poly-crystalline, 156.75 X 78.38 mm
Cell Arrangement	120 [2 x (10 x 6)]
Dimensions	1675 X 992 X 5.8 mm (65.9 X 39.1 X 0.23 in) without J-Box and corner protector
(Incl. corner protector)	1678 X 995 X 8.5 mm (66.1 X 39.2 X 0.33 in) without J-Box
Weight	24 kg (52.9 lbs)
Front / Back Glass	2.5 mm heat strengthened glass
Frame	Frameless
J-Box	IP68, 3 bypass diodes
Cable	4.0 mm <sup>2</sup> (IEC), 12 AWG (UL), 1160 mm (45.7 in)
Connector	T4 series
Per Pallet	33 pieces
Per Container (40' HQ)	858 pieces

**TEMPERATURE CHARACTERISTICS**

Specification	Data
Temperature Coefficient (Pmax)	-0.38 % / °C
Temperature Coefficient (Voc)	-0.31 % / °C
Temperature Coefficient (Isc)	0.05 % / °C
Nominal Module Operating Temperature	42 ± 3°C

**PARTNER SECTION**



\* The specifications and key features contained in this datasheet may deviate slightly from our actual products due to the on-going innovation and product enhancement. Canadian Solar Inc. reserves the right to make necessary adjustment to the information described herein at any time without further notice.

**CANADIAN SOLAR INC.**

545 Speedvale Avenue West, Guelph, Ontario N1K 1E6, Canada, [www.canadiansolar.com](http://www.canadiansolar.com), [support@canadiansolar.com](mailto:support@canadiansolar.com)